



CBHD1-XR-P

Main features:

Advanced and innovative resonant technology

Power from 95W up to 360W

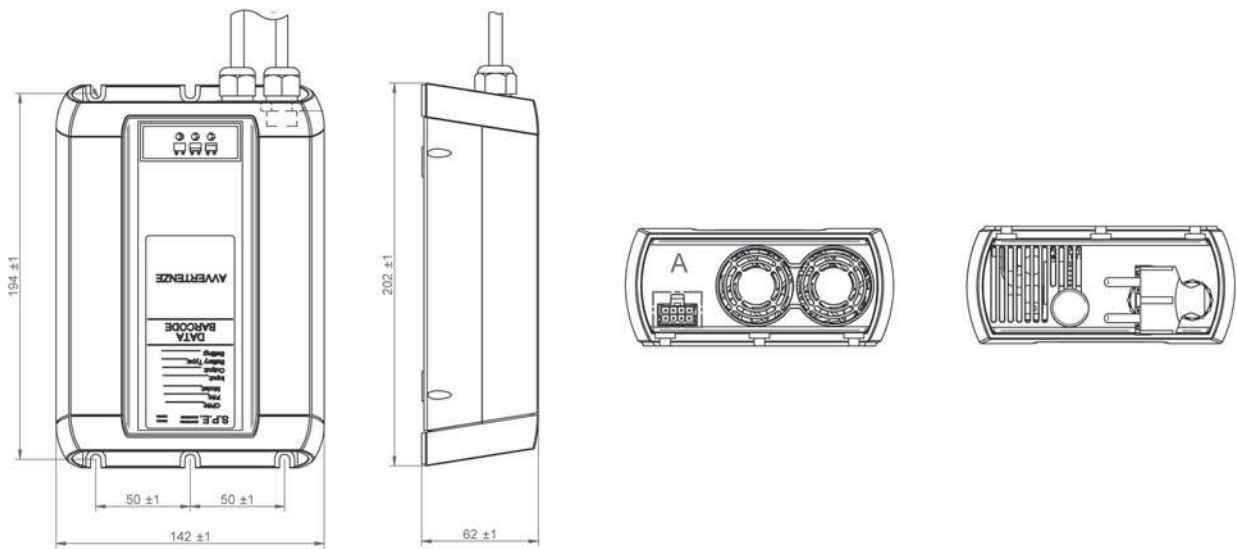
Current from 8A to 13A

Active PFC

Available in plastic and aluminum case

APPLICATIONS





DIMENSIONS (LxWxH): 142x202x62 mm – 5.59x7.95x2.44 in

WEIGHT: 1,80 Kg – 3.97 LBS

PROTECTION GRADE IP30

INPUT VOLTAGE: Universal 100÷240 Vac – 50-60 Hz

Battery Voltage	Battery Range		Charging Current	Model
	5h	20h		
12V	40÷80 Ah	60÷105 Ah	8A	12-8
	80÷130 Ah	90÷150 Ah	13A	12-13
24V	40÷80 Ah	60÷105 Ah	8A	24-8
	80÷130 Ah	90÷150 Ah	13A	24-13

